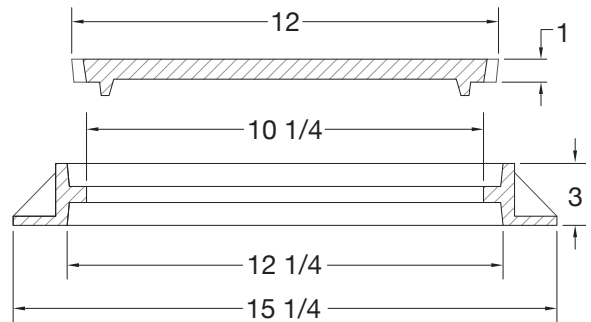
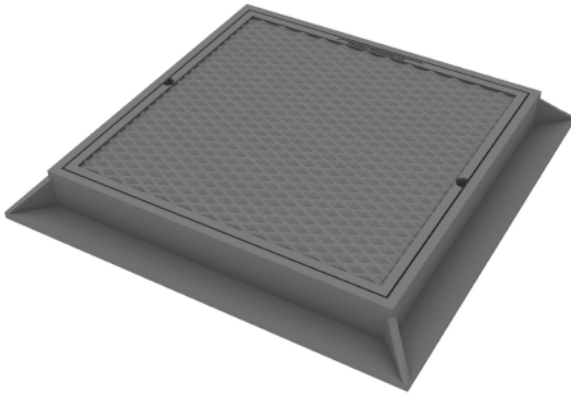


Light Duty, Reversible Type Frame, Solid Cover

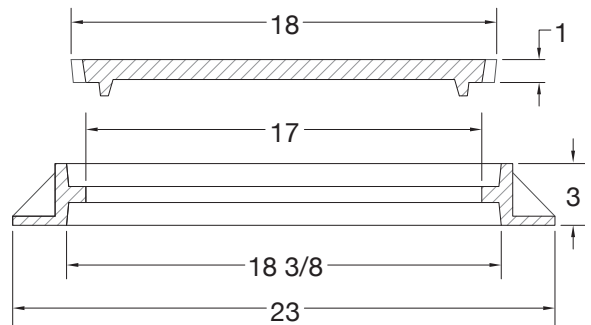
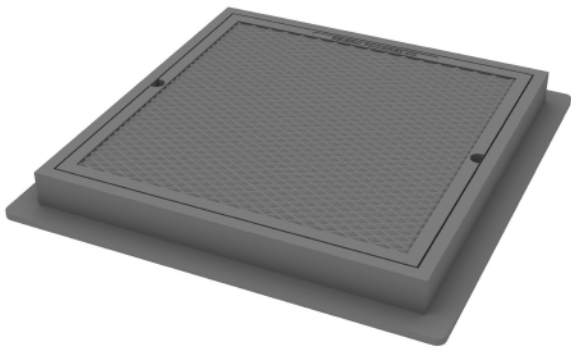


NOTES:

- Dimensions are approximate & in inches
- Gray Iron, Class 35B
- Conforms to ASTM A48 / A48M-03 specifications
- Markings: Plain, Electric, Signal, Traffic
- * Custom markings / logos available upon request

PRODUCT NO.
21230

Light Duty, Reversible Type Frame, Solid Cover



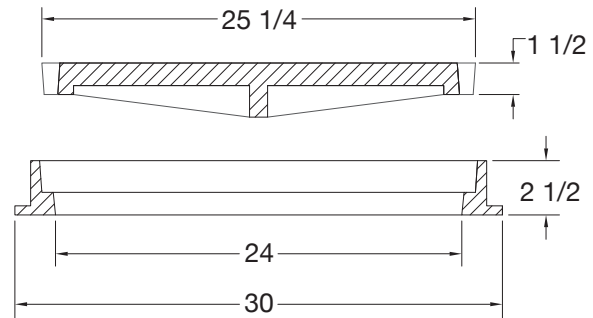
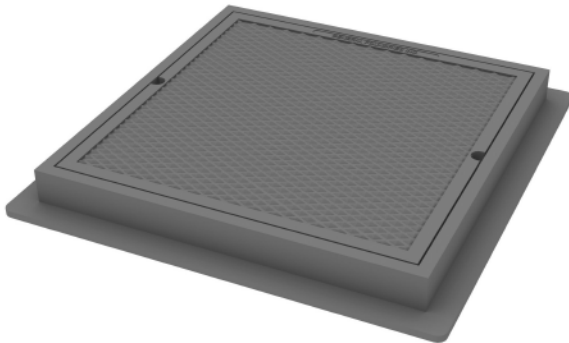
NOTES:

- Dimensions are approximate & in inches
- Gray Iron, Class 35B
- Conforms to ASTM A48 / A48M-03 specifications
- Markings: Plain, Electric
- * Custom markings / logos available upon request

PRODUCT NO.
21830



Heavy Duty, Built Up Type Frame, Solid Cover



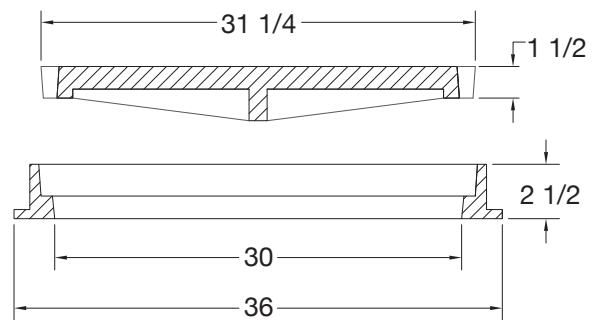
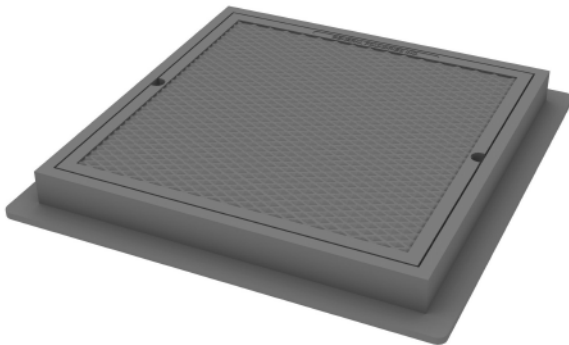
NOTES:

- Dimensions are approximate & in inches
- Gray Iron, Class 35B
- Conforms to ASTM A48 / A48M-03 specifications

PRODUCT NO.

22530

Heavy Duty, Built Up Type Frame, Solid Cover



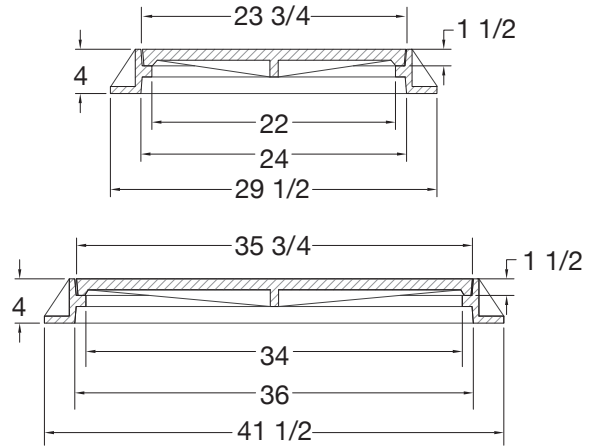
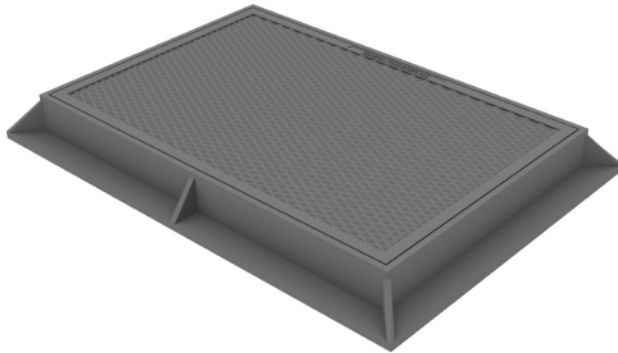
NOTES:

- Dimensions are approximate & in inches
- Gray Iron, Class 35B
- Conforms to ASTM A48 / A48M-03 specifications

PRODUCT NO.

23130

Heavy Duty, Reversible Type Frame, Solid Cover



NOTES:

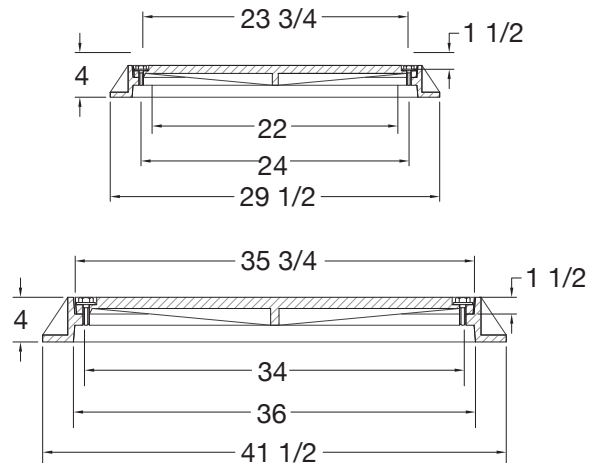
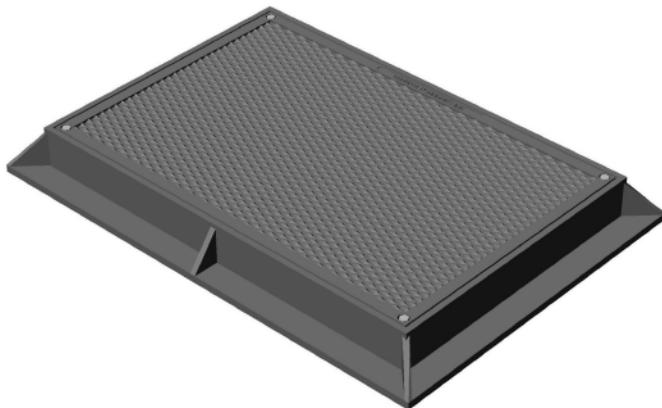
- Dimensions are approximate & in inches
- Gray Iron, Class 35B
- Conforms to ASTM A48 / A48M-03 specifications

PRODUCT NO.

24365

Bolted

Heavy Duty, Built Up Type Frame, Solid Cover



NOTES:

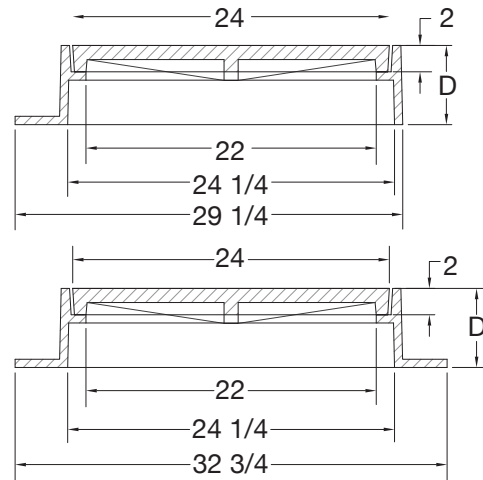
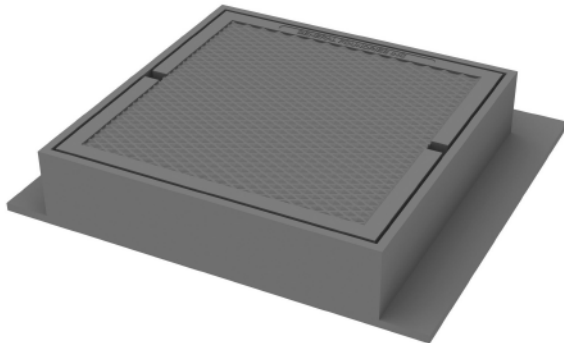
- Dimensions are approximate & in inches
- Gray Iron, Class 35B
- Conforms to ASTM A48 / A48M-03 specifications

PRODUCT NO.

24366



Heavy Duty, Built Up Type Frame, Solid Cover



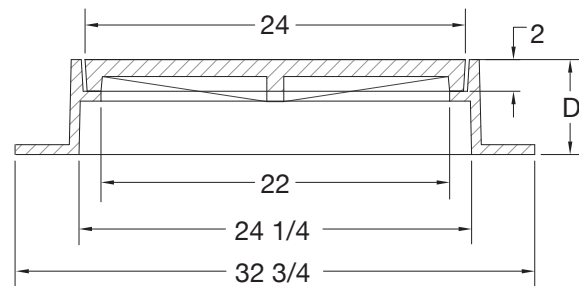
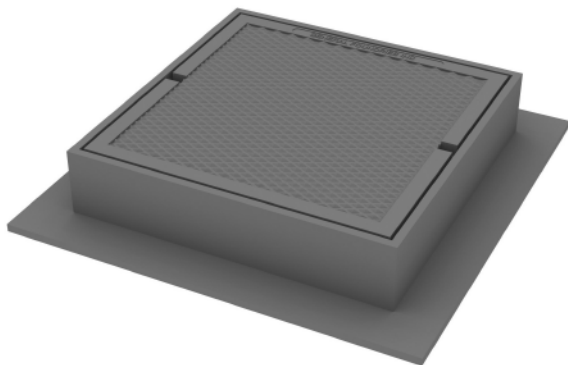
NOTES:

- Dimensions are approximate & in inches
- Gray Iron, Class 35B
- Conforms to ASTM A48 / A48M-03 specifications
- Markings: Plain, Communication, Electric, Signal
- * Custom markings / logos available upon request

FRAME
HEIGHT

PRODUCT NO.	D	FRAME
22443CVR	4	3 Flange
22463CVR	6	3 Flange
22483CVR	8	3 Flange

Heavy Duty, Built Up Type Frame, Solid Cover



NOTES:

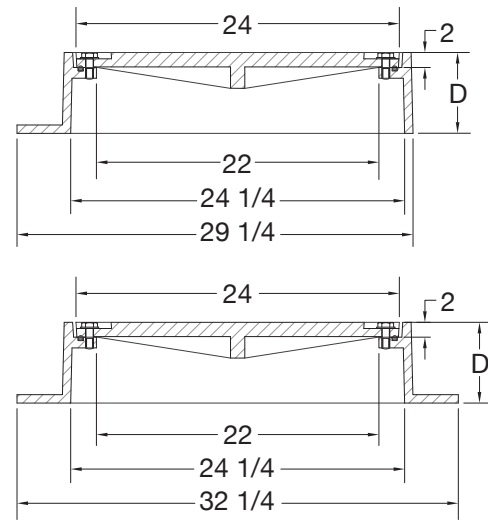
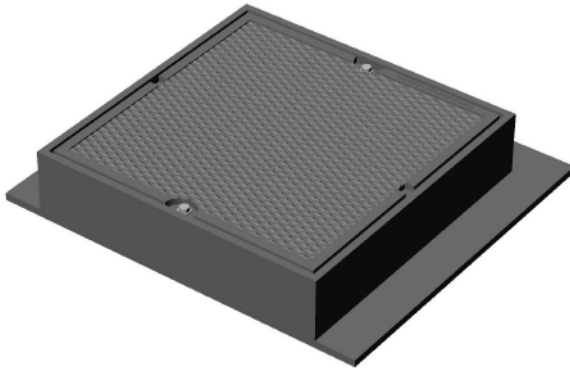
- Dimensions are approximate & in inches
- Gray Iron, Class 35B
- Conforms to ASTM A48 / A48M-03 specifications
- * Please specify if required in Class 35B or Ductile Iron
- Markings: Plain, Communication, Electric, Signal
- * Custom markings / logos available upon request

FRAME
HEIGHT

PRODUCT NO.	D	FRAME
22444CVR	4	4 Flange
22464CVR	6	4 Flange
22484CVR	8	4 Flange



Heavy Duty, Built Up Type Frame, Solid Cover



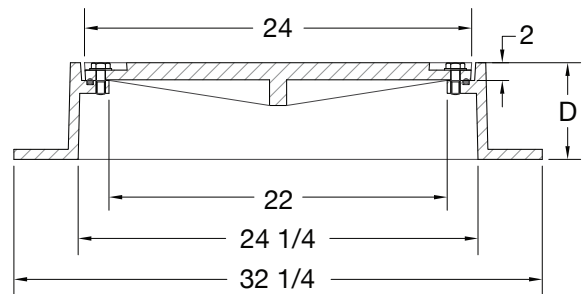
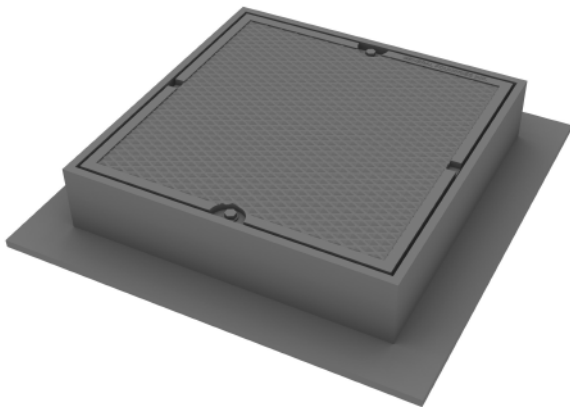
FRAME
HEIGHT

PRODUCT NO.	D	FRAME
22446-3	4	3 Flange
22466-3	6	3 Flange
22486-3	8	3 Flange

NOTES:

- Dimensions are approximate & in inches
- Gray Iron, Class 35B
- Conforms to ASTM A48 / A48M-03 specifications
- Markings: Plain, Communication, Electric, Signal
- * Custom markings / logos available upon request

Heavy Duty, Built Up Type Frame, Solid Cover



FRAME
HEIGHT

PRODUCT NO.	D	FRAME
22446-4	4	4 Flange
22466-4	6	4 Flange
22486-4	8	4 Flange

NOTES:

- Dimensions are approximate & in inches
- Gray Iron, Class 35B
- Conforms to ASTM A48 / A48M-03 specifications
- Markings: Plain, Communication, Electric, Signal
- * Custom markings / logos available upon request

